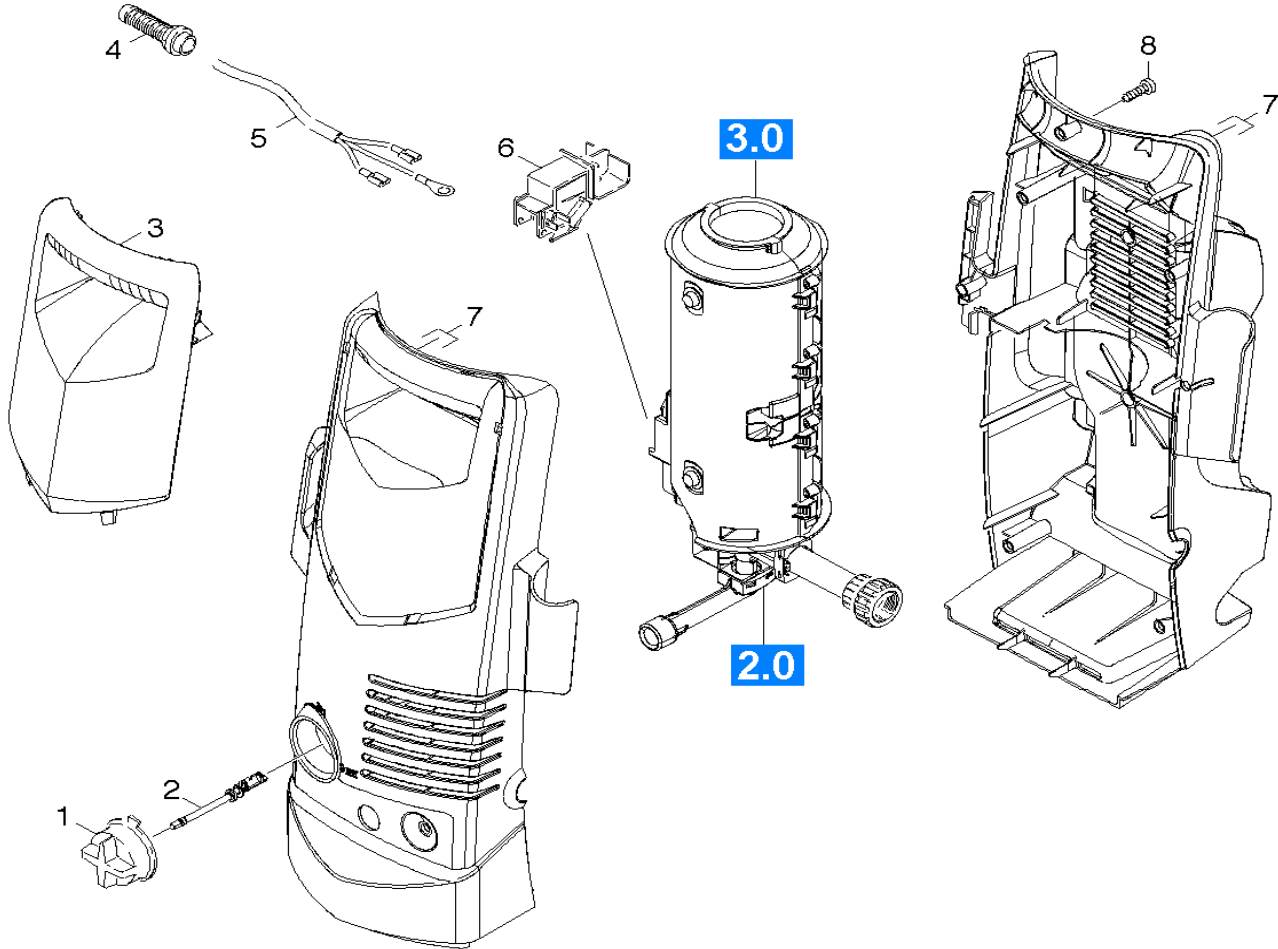


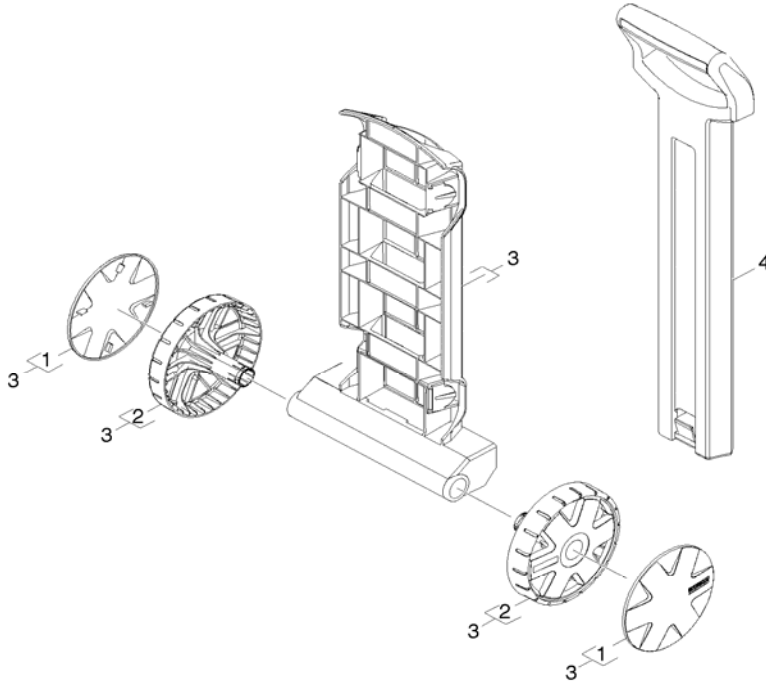
# PARTS BREAKDOWN FOR K2.900 TV (1.671-343.0)

| Location       | PN       | DESCRIPTION                              | QTY | SERIAL # |    |
|----------------|----------|--|-----|----------|----|
|                |          |  |     | FROM     | TO |
| <b>HOUSING</b> |          |  |     |          |    |
| 1              | 53217400 | HANDLE SCHALTER K2.90                    | 1   |          |    |
| 2              | 51052960 | Axle long black                          | 1   |          |    |
| 3              | 51310690 | Screen housing pair K2.900               | 1   |          |    |
| 4              | 58200700 | Strain relief d 6,0 - d 8,5              | 1   |          |    |
| 5              | 66488610 | Cable with plug                          | 1   |          |    |
| 6              | 66303570 | Switch complete UL/CSA+Ers. (ohne Fluege | 1   |          |    |
| 7              | 50674550 | Housing pair replacement K2.900          | 1   |          |    |
| 8              | 73030960 | Screw 4x22 -ST-10.9-R2R (IN6RD)          | 7   |          |    |



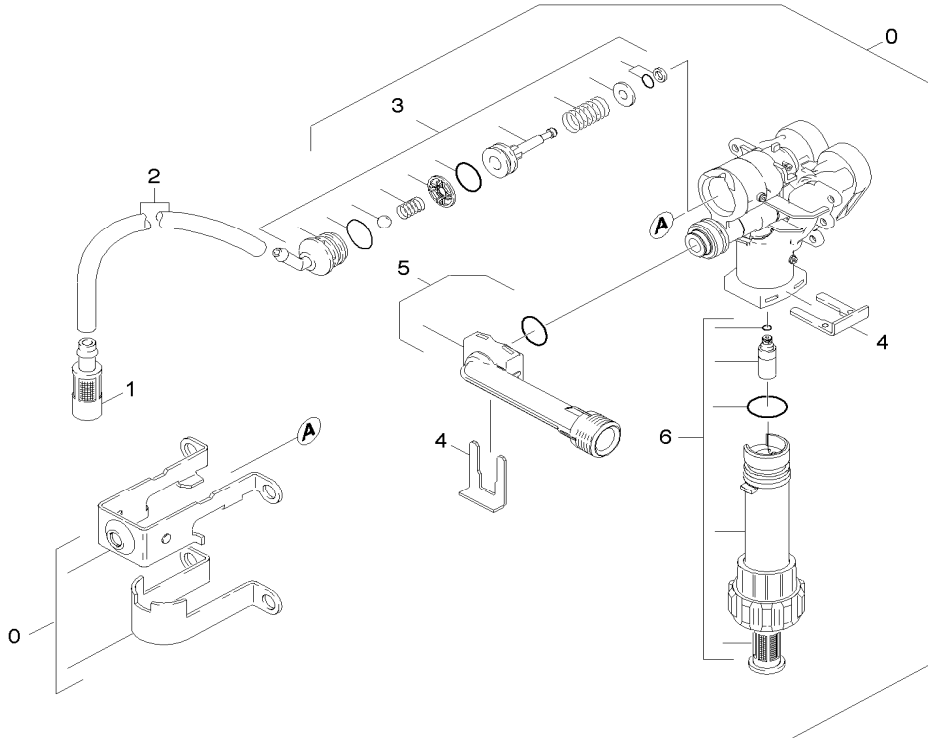
# PARTS BREAKDOWN FOR K2.900 TV (1.671-343.0)

| Location       | PN       | DESCRIPTION                | QTY | SERIAL # |    |
|----------------|----------|----------------------------|-----|----------|----|
|                |          |                            |     | FROM     | TO |
| <b>TROLLEY</b> |          |                            |     |          |    |
| 1              | 51310700 | Screen wheel K2.900        | 2   |          |    |
| 2              | 55152730 | Wheel K2.900               | 2   |          |    |
| 3              | 45201600 | Chassis replacement K2.900 | 1   |          |    |
| 4              | 90363610 | Handhold chassis           | 1   |          |    |



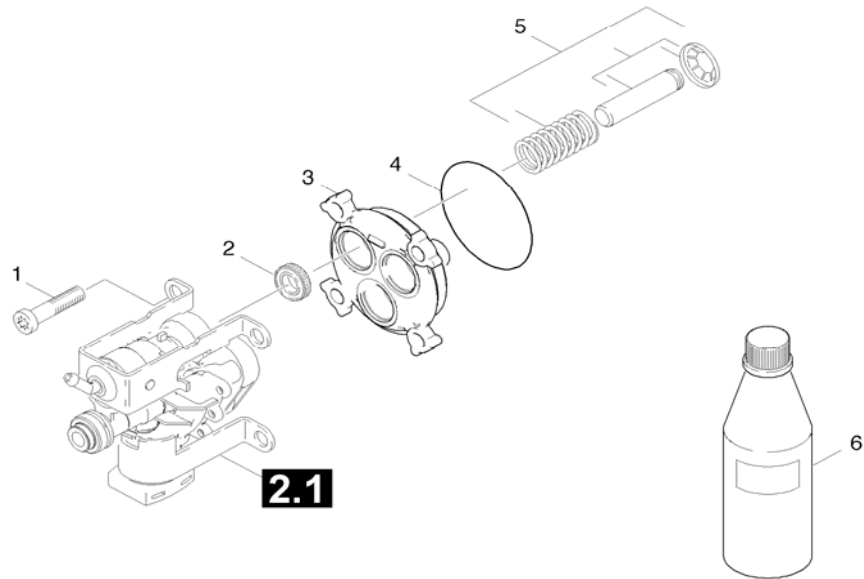
# PARTS BREAKDOWN FOR K2.900 TV (1.671-343.0)

| Location            | PN       | DESCRIPTION                             | QTY | SERIAL # |    |
|---------------------|----------|---|-----|----------|----|
|                     |          |   |     | FROM     | TO |
| <b>PUMP HOUSING</b> |          |   |     |          |    |
| 0                   | 45507340 | Cylinder head replacement *USA K2.900   | 1   |          |    |
| 1                   | 57316090 | Filter with weight                      | 1   |          |    |
| 2                   | 63882160 | Hose DN 5                               | 1   |          |    |
| 3                   | 28841330 | Spare part set control piston chemistry | 1   |          |    |
| 4                   | 50484060 | Clamp                                   | 2   |          |    |
| 5                   | 40637830 | Outlet high-pressure with O-Ring seal   | 1   |          |    |
| 6                   | 40638200 | Suction cover *USA +SV Ersatz           | 1   |          |    |



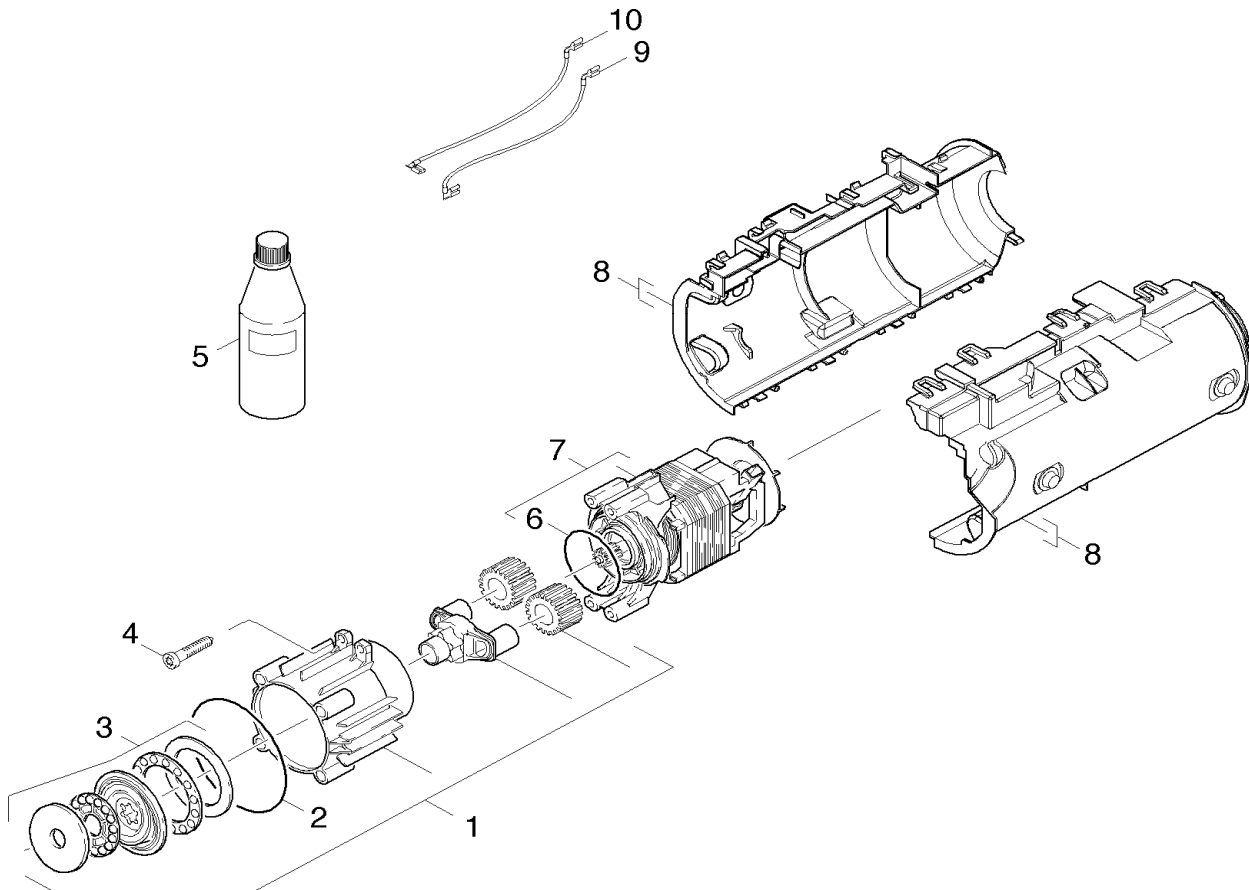
# PARTS BREAKDOWN FOR K2.900 TV (1.671-343.0)

| Location               | PN       | DESCRIPTION                | QTY | SERIAL # |    |
|------------------------|----------|----------------------------|-----|----------|----|
|                        |          |                            |     | FROM     | TO |
| <b>THRUST GUIDANCE</b> |          |                            |     |          |    |
| 1                      | 63031440 | Screw St-A2E (In6Rd)       | 4   |          |    |
| 2                      | 63653930 | Oil sealing 12x20x4/6      | 3   |          |    |
| 3                      | 50608530 | Thrust guidance PA6.6      | 1   |          |    |
| 4                      | 63629020 | O-Ring 60x2,5 NBR 70       | 1   |          |    |
| 5                      | 28848590 | Spare parts set piston GSF | 3   |          |    |
| 6                      | 62881120 | Engine oil 1L              | 1   |          |    |



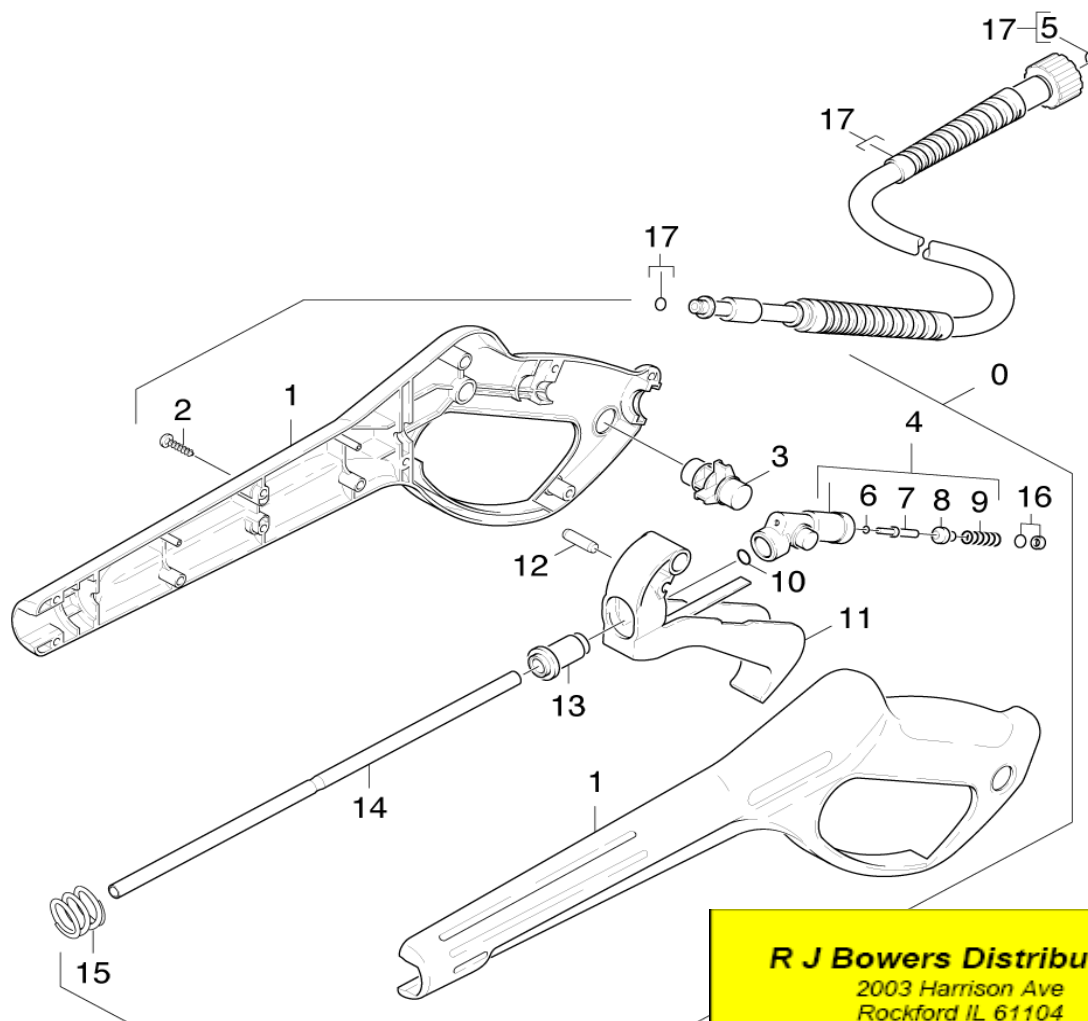
# PARTS BREAKDOWN FOR K2.900 TV (1.671-343.0)

| Location     | PN       | DESCRIPTION                      | QTY | SERIAL # |    |
|--------------|----------|----------------------------------|-----|----------|----|
|              |          |                                  |     | FROM     | TO |
| <b>MOTOR</b> |          |                                  |     |          |    |
| 1            | 40606290 | Gear complete replacement K2.900 | 1   |          |    |
| 2            | 63629020 | O-Ring 60x2,5 NBR 70             | 1   |          |    |
| 3            | 41201960 | Swash plate lift 4,09            | 1   |          |    |
| 4            | 63032600 | Screw 5x26,4                     | 4   |          |    |
| 5            | 62881120 | Engine oil 1L                    | 1   |          |    |
| 6            | 63629790 | O-Ring 50x2,2 NBR 70             | 1   |          |    |
| 7            | 46235110 | MOTOR KPL. *                     | 1   |          |    |
| 8            | 40670490 | Housing motor replacement K2.900 | 1   |          |    |
| 9            | 66485870 | Cable motor 225mm */EPC          | 1   |          |    |
| 10           | 66485860 | Cable brown AWG18x270mm          | 1   |          |    |



# PARTS BREAKDOWN FOR K2.900 TV (1.671-343.0)

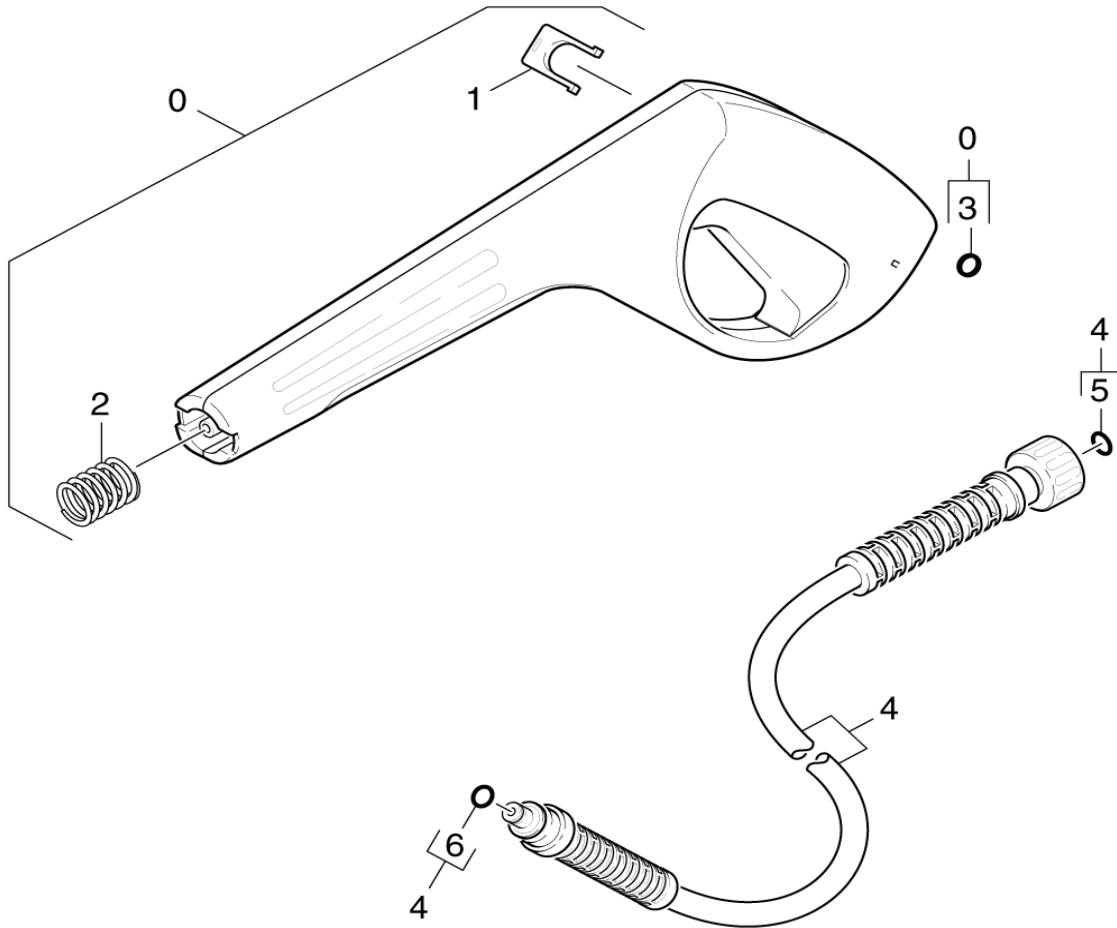
| Location                                    | PN        | DESCRIPTION           | QTY | SERIAL # |    |
|---|-----------|-----------------------|-----|----------|----|
|   |           |                       |     | FROM     | TO |
| <b>ACCESSORIES - Trigger Gun &amp; Hose</b> |           |                       |     |          |    |
| 0   | 4775-2640 | Trigger Gun           | 1   |          |    |
| 1   | 5321-5120 | Handhold few          | 1   |          |    |
| 2   | 6303-1220 | M4.2x13 Torx T-15     | 9   |          |    |
| 3   | 5481-1890 | Lever                 | 1   |          |    |
| 4   | 4427-1780 | Manifolds             | 1   |          |    |
| 5   | 2880-2960 | O-Ring Seal (5 Pack)  | 1   |          |    |
| 6   | 7362-5020 | O-Ring Seal 2.8x1.6   | 1   |          |    |
| 7   | 5107-1470 | Bar                   | 1   |          |    |
| 8   | 5582-0580 | Valve Disk            | 1   |          |    |
| 9   | 5332-1570 | Helical Spring        | 1   |          |    |
| 10  | 6362-4790 | O-Ring Seal 7.59x2.62 | 1   |          |    |
| 11  | 4481-1050 | Lever                 | 1   |          |    |
| 12  | 5314-0820 | Pin                   | 1   |          |    |
| 13  | 5110-5390 | Sleeve                | 1   |          |    |
| 14  | 5028-9050 | Pipe                  | 1   |          |    |
| 15  | 5332-3490 | Pressure Spring       | 1   |          |    |
| 16  | 6362-4980 | O-Ring Seal 6.75x1.78 | 1   |          |    |
| 17  | 6389-5550 | High Pressure Hose    | 1   |          |    |



**R J Bowers Distributors**  
 2003 Harrison Ave  
 Rockford IL 61104  
 E-mail: [service@rjbowers.com](mailto:service@rjbowers.com)  
 Web: [www.rjbowers.com](http://www.rjbowers.com)  
 (815) 399-8839 (800) 383-6584

# PARTS BREAKDOWN FOR K2.900 TV (1.671-343.0)

| Location                                    | PN       | DESCRIPTION                            | QTY | SERIAL # |    |
|---|----------|--|-----|----------|----|
|   |          |  |     | FROM     | TO |
| <b>ACCESSORIES - TRIGGER GUN &amp; HOSE</b> |          |  |     |          |    |
| 0   | 47753890 | PISTOL                                 | 1   |          |    |
| 1   | 50371370 | CLAMP                                  | 1   |          |    |
| 2   | 53324640 | Pressure spring                        | 1   |          |    |
| 3   | 63631980 | GASKET                                 | 1   |          |    |
| 4   | 63908710 | High pressure hose 6/11MPa             | 1   |          |    |
| 5   | 28802960 | Spare part set O-Ring seal 5x-Kaercher | 1   |          |    |
| 6   | 63624980 | O-Ring seal 6,75x1,78 NBR 70           | 1   |          |    |



**INTERNAL PARTS ARE NOT AVAILABLE FOR THIS TRIGGER GUN**

# PARTS BREAKDOWN FOR K2.900 TV (1.671-343.0)

| Location                         | PN       | DESCRIPTION     | QTY | SERIAL # |    |
|----------------------------------|----------|-----------------|-----|----------|----|
|                                  |          |                 |     | FROM     | TO |
| <b>ACCESSORIES - SPRAY WANDS</b> |          |                 |     |          |    |
| 1                                | 26407290 | O-Ring seal set | 1   |          |    |
| 2                                | 47605200 | VPS K2 026      | 1   |          |    |
| 3                                | 47639910 | ROTARY NOZZLE   | 1   |          |    |

